

**Non-isolated Buck Offline LED Driver**

**Description**

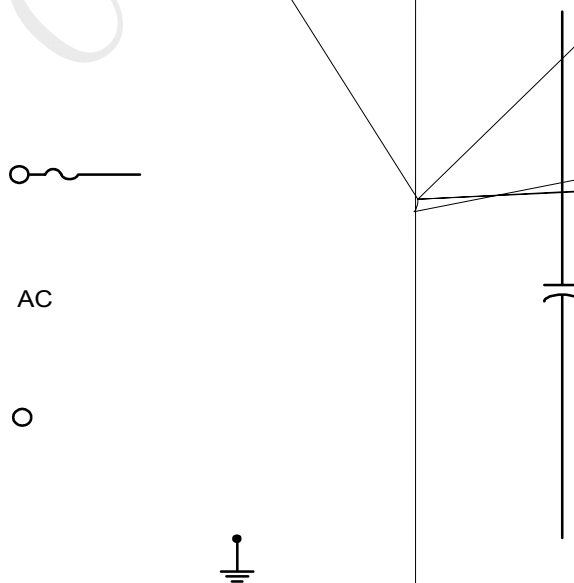
BP2863X is a high precision Buck constant current LED driver. The device operates in critical conduction mode and is suitable for 95Vac, 265Vac universal input offline LED lighting.

The BP2863X integrates a 500V power MOSFET, with gate MOSFET driving technique. It does not need a VCC capacitor and startup resistor. It can achieve excellent constant current performance with very few external components, so the system cost and size are greatly reduced.

It operates in critical conduction mode, it can achieve precise output current and excellent line regulation. The driver output current does not change with the inductance and output voltage.

The BP2863X offers protections to improve the system reliability, including LED short circuit protection, and thermal regulation function.

**Typical Application**



**Features**

- Integrated [REDACTED]
- Integrated 100% Superfast Recovery Diode
- No VCC Capacitor and Startup Resistor
- [REDACTED] High Power Supply
- No flicker in parallel with several lamps
- ±5% LED Output Current Accuracy
- [REDACTED]
- Thermal Regulation Function
- Available in ASOP7 Package

**Applications**

- LED Bulb
- LED Tube
- Other LED Lighting



